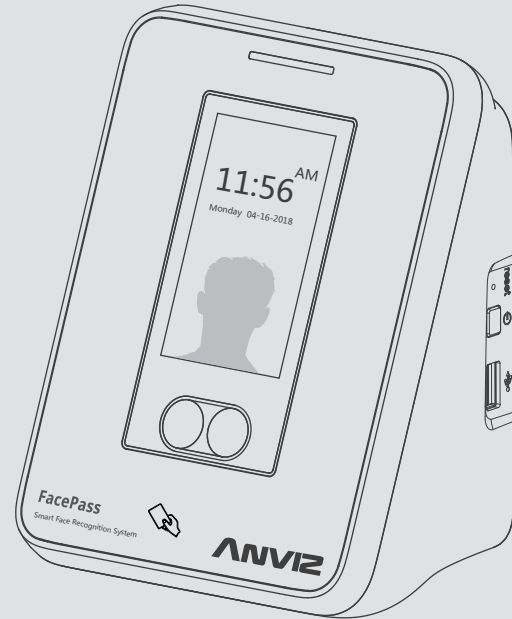


Facepass 7

Standalone Facial Recognition System

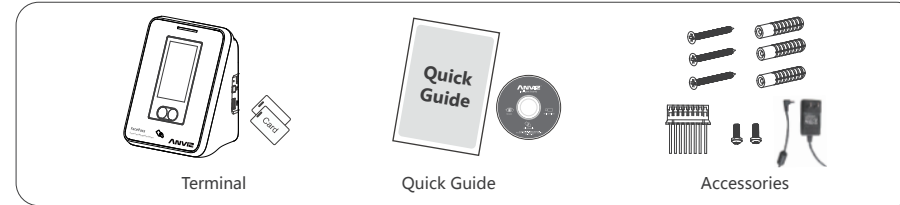
Quick Guide V1.0



⚠ Notice

- Do not use oily water or sharp objects to stain or damage the display screen
- Fragile parts are used in the equipment, so please avoid operations such as falling, crashing, bending or heavily pressing
- The normal working environment of the display screen and key parts of this equipment is indoor environment. Beyond this temperature range, the equipment will be less effective with reduced functionality and performance
- Please gently wipe the screen and panel with material of soft cloth. Avoid scrubbing with water or detergent
- When unable to exit the equipment or terminate the operation, users can press Reset to restart the device
- This equipment is not waterproof design, therefore please pay attention to waterproof and rainproof in use

1. Packing List



2. Installation Environment

Before the installation:

- FacePass 7 working temperature: 0°C~45°C, working humidity: 20-80%
The direct sunlight would cause great impact on the face recognition performance, so during the installation please :
 - ① Avoid installing the equipment in outdoor environment under direct sunlight
 - ② Conduct waterproof and rainproof protection during outdoor installation
 - ③ Avoid the effect of strong light on the device camera during indoor installation

3. Installation Procedure

Step 1 : Installation Position

- ① The best face recognition distance of the FacePass7 is 30-80cm. The best acquisition angles of the device camera is $\pm 20^\circ$ both horizontal and vertical.
- ② The recommended installation height is 110cm, where the FacePass 7 can recognize the faces of people between 145cm and 195cm in height. Please determine the installation position according to the height of the actual users.

Installation Diagram:

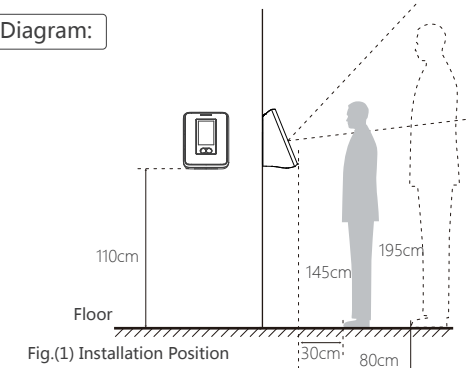
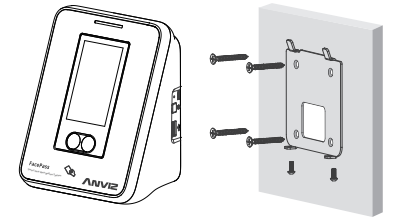


Fig.(1) Installation Position

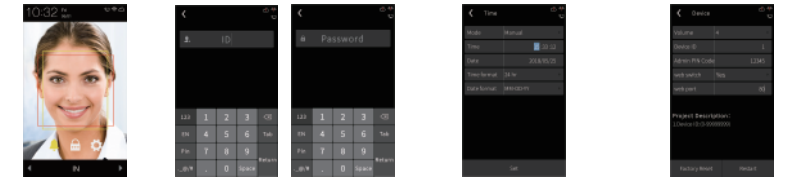
Step 2 : Installation Steps

- ③ Place the back plate at the appropriate position and drill into the wall according to the mounting holes
- ④ Fix the back plate and connect wires
- ⑤ Mount the terminal



4. Quick Guide

• General Settings



① Power on the FacePass 7 and wait for the activation. Click [Power], then input admin ID and password to enter main menu. Click [Admin], then input employee ID and password to verify.

② Click [Admin], then input ID "0", password "12345" to enter main menu. 0/12345 is the factory default admin ID and password. You can change to your own password or set other users as administrators.

③ Enter system settings \ time to set date and time.

④ View or edit device ID and admin password in system settings \ device.

• User Enroll

Quick Face Registration

① → ②

Click "Enroll Face" to input ID for quick face registration.

According to the device prompt, keep the face in the middle of the circular registration frame. Move the face up and down accordingly to register face images in multiple angles. During the registration process, please slightly turn the head left and right, up and down. If the registration is taking too long, please adjust the position of your face. When the circular registration frame moves to the top, please take off the glasses according to the device prompt. Meanwhile the registration progress is charted with a green progress bar at the bottom of the screen.

Registration of Other Authentication Methods

① → ②

① Click "User" / "Add" to input ID, Password and Name. Click "Register Face" to enroll.

Click "Card" to swipe the card at the card swiping area of the device for registration. The device will read the card number.

• Communication Setting

- ① Click "Network" option to enter network setting page, select Ethernet or WIFI
- ② Click "Network\Comm Mode" to select server or client mode.
- ③ Set Ethernet or WiFi parameters based on your network environment.
- ④ PING FacePass 7 IP address on a management computer, and make sure the PING is connected.

Ethernet Setting

① → ② → ③ → ④

① Click "Network" option to enter network setting page.

② Click "Internet" to set WAN mode as Ethernet, and then set DNS IP address.

③ Click "Comm Mode" to select server or client mode.

④ Click "Ethernet" to modify the settings of TCP/IP.

WIFI Setting

① → ② → ③ → ④

① Click "Internet" to set WAN mode as WIFI, and then set DNS IP address.

② Click "Comm Mode" to select server or client mode.

③ Click "WIFI" to modify the settings of TCP/IP. Click "Choose Wifi" to enter next page.

④ FacePass 7 will automatically search the WiFi network. Select the WiFi to connect, and input the password.

• Matching Precision Setting

Three precision levels: Basic/Good/Excellent

Basic: High pass rate with a chance of misrecognition.

Good: High pass rate, recommended.

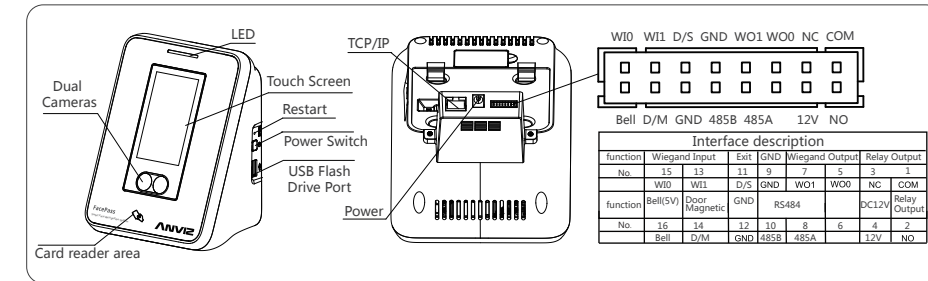
Excellent: Low pass rate with very small chance of misrecognition.

① → ②

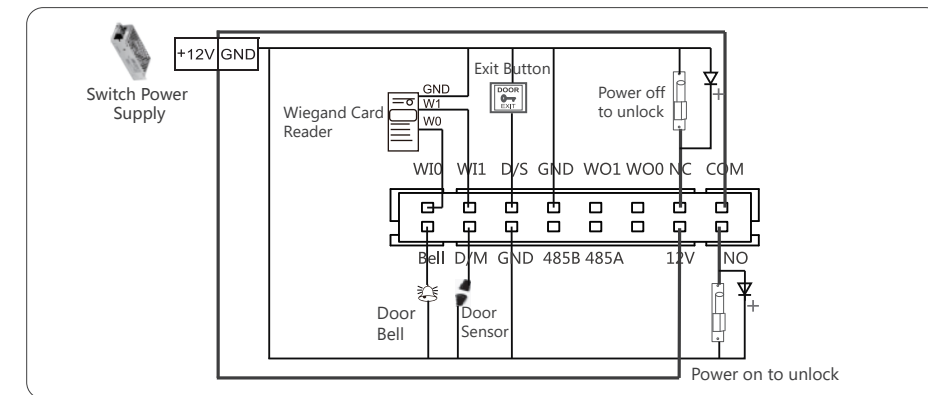
① Enter from Main menu to Advanced\T&A\Precision

② Precision levels: Basic/Good/Excellent

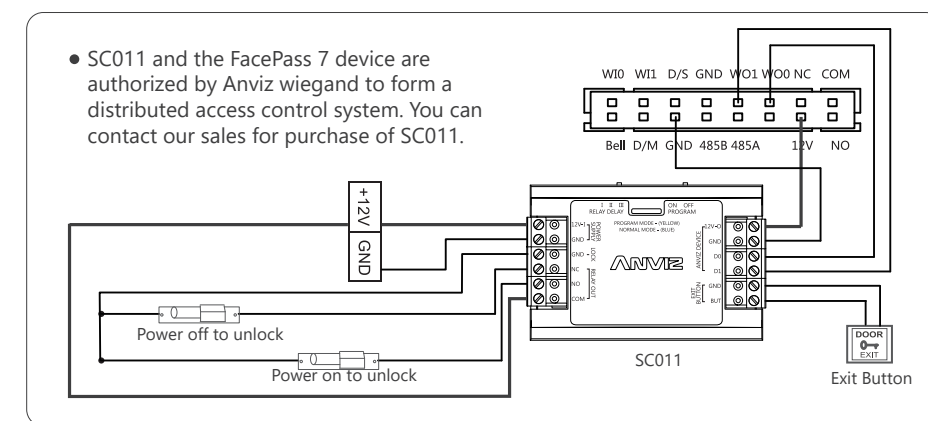
6. FacePass 7 Structure



7. Switching Power Supply



8. Wiring Type Access Controller



TIPS

During the face registration process, please do not cover the forehead and keep the face below the eyebrows visible. In order to improve comparison accuracy, we need to obtain multiple face templates with multiple angles, so the registration process will last for one minute. Please register patiently. Quick face registration is recommended.