

SC011 Introduction

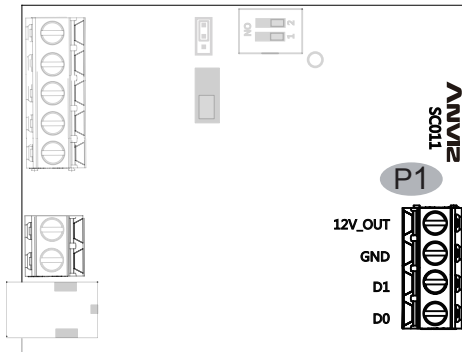
The SC011 received encrypt Anviz wiegand code to authorization from Anviz product. The SC011 only work with Anviz access control product to make up a distributed Access control system.

Operation caution:

- 1 All the Anviz devices work with SC011 must set as 'Anviz Wiegand' output via the software. (The detail steps please refer to the device manual)
- 2 Please register at least one finger or card in the Anviz device.

SC011 Operation

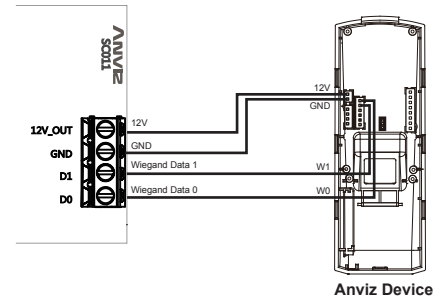
1 Connection with Anviz device



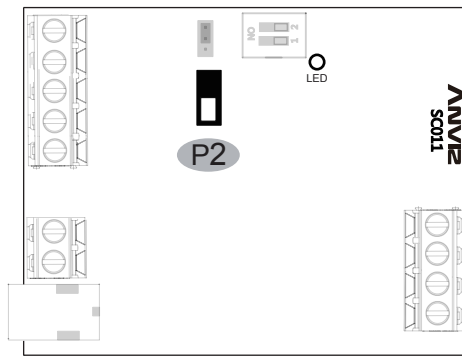
Please put the Anviz device connect with P1 interface on the SC011.

P1 Power output and Wiegand

Function	Pin
Power Output	12V_Out
	GND
Wiegand Input	Wiegand Data 1
	Wiegand Data 0



2 Authorization



Power Off and set P2 switch in 'Authorization Mode' on the SC011.

<p>Authorization Mode</p>	<p>Power On: LED LED flashes RED</p>	<p>Place registered fingerprint or swipe registered card on the Anviz device. It will sent out the encrypt Anviz wiegand code to SC011. The SC011 with long beeps and the LED GREEN light. then the SC011 authorized successful.</p>
---------------------------	--	--

Power Off and set P2 switch in 'Normal Mode' on the SC011.

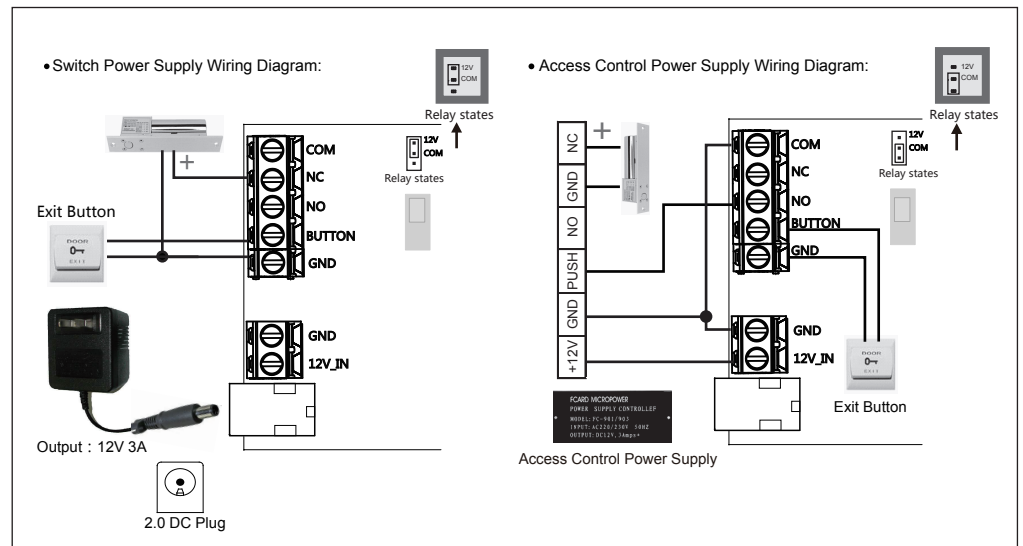
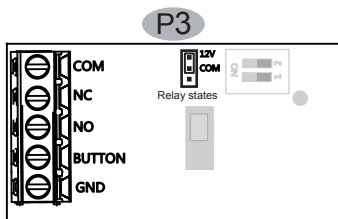
<p>Normal Mode</p>	<p>Power On: LED LED flashes BLUE</p>	<p>Power on the SC011, the LED flashes BLUE light and verify any registered fingerprint or card on Anviz device. After verified success the SC011 LED flashes GREEN and open the Lock.</p>
--------------------	---	--

Notice : The SC011 only support Anviz Wiegand authorization.

3 Connect with Relay

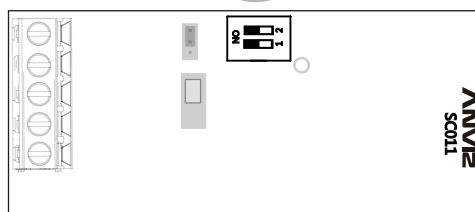
P3 Relay Status

	12V COM	Supply power status. The Relay supply 12V power
	12V COM	Relay normal status. Supply Relay signal



4 Relay Delay Setting

P4



On the SC011 the dial switch P4 can set relay delay time. (Default delay is 6 sec)

		Relay without delay			Relay delay 3 sec
		Relay delay 1 sec			Relay delay 6 sec