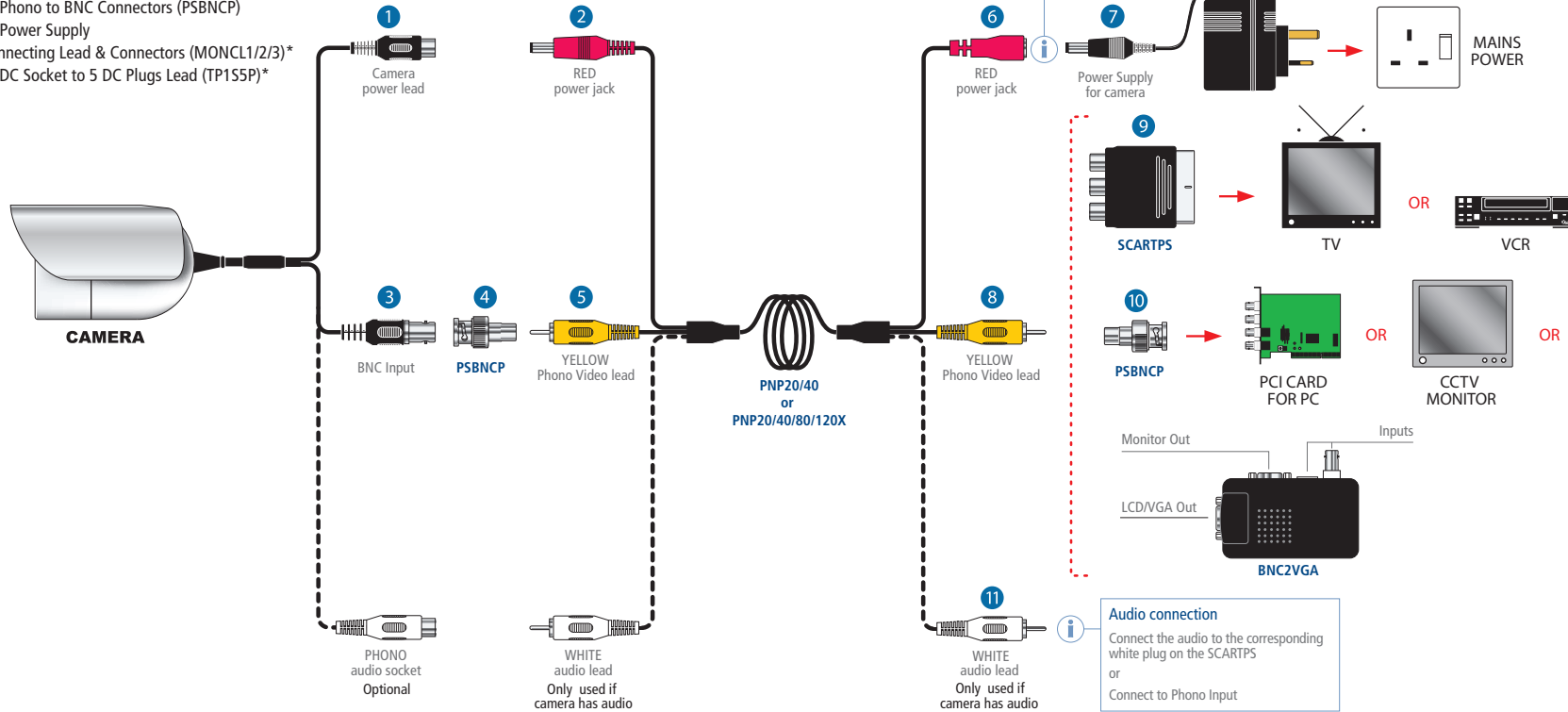


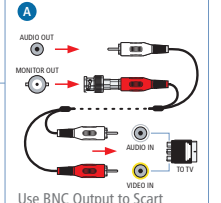
CABLING INSTRUCTIONS

Contents

- 1x Camera
- 1x PNP Cable (PNP20/40 or PNP20/40/80/120X)
- 1x Scart Block (SCARTPS)
- 2x Phono to BNC Connectors (PSBNCP)
- 1x Power Supply
- Connecting Lead & Connectors (MONCL1/2/3)*
- 1x DC Socket to 5 DC Plugs Lead (TP155P)*



Connect DVR to TV/Monitor

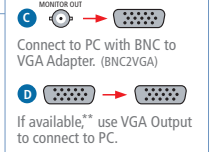


Use BNC Output to Scart Connection Lead. (MONCL1/2/3)

B If available,** use SVHS to SVHS Connection Lead. (MONCL1/2/3)

If you have no Scart, connect the Monitor Out to YELLOW if the TV has AV connections (RED, YELLOW & WHITE). Select AV channel.

Connect DVR to PC Monitor

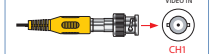


Connect to PC with BNC to VGA Adapter. (BNC2VGA)

D If available,** use VGA Output to connect to PC.

Note: Connecting Camera(s)

For one or multi camera DVR systems, ensure a video connection is made to the Channel 1 input at the back of the DVR.



Failure to connect a camera to Channel 1 will make the DVR unresponsive to any video signal.

Audio connection
Connect the audio to the corresponding white plug on the SCARTPS or
Connect to Phono Input

To Connect Cable to Camera

- Connect the power lead coming from the camera 1 to the RED power jack on cable 2
- Connect the BNC connector 4 to the BNC input from the camera 3
- Connect this male BNC 3+4 to YELLOW Video Phono lead on cable 5

To Connect Cable to TV/VCR

- Connect RED power jack 6 to the power supply cable 7 - connect this to the mains power supply
- Connect YELLOW Video Phono lead 8 to the SCARTPS block
- Connect SCART block 9 to TV or VCR
- If the camera has audio, connect the WHITE Audio lead to the corresponding WHITE input on the SCARTPS block 11

To Connect Cable to a PCI Card, DVR or CCTV Monitor

- Connect RED power jack 6 to the power supply cable 7 - connect this to the mains power supply
- Connect the BNC connector 10 to YELLOW Video Phono lead 8 on cable
- Connect the male BNC 8+10 to the female BNC input on the recording device (PCI Card or DVR) or professional CCTV Monitor.
- If the camera has audio, connect the WHITE Audio lead to the corresponding input on the PCI Card/DVD unit/CCTV monitor 11

To Connect Camera to TV

- If you do not have a professional monitor and your TV has AV connections (RED, YELLOW & WHITE), connect YELLOW to YELLOW and select the AV channel or connect the YELLOW lead to the YELLOW on the SCARTPS