

ES-852011/12/13H | E series

2MP IR Eyeball Network Camera



- 1/2.9" 2MP Sony Sensor
- H.265+ Dual-stream Encoding
- IR Effective Range 10~20m
- High Quality Optical Lens 2.8mm/3.6mm/6mm optional
- IVA (Smart Function) Supported
- Multiple Web Browser Supported, IE/Safari/Chrome/Firefox
- P2P Cloud Function by Mobile App (AntarView Pro)
- Lightning Protection Up to 6KV
- IP67 Ingress Protection
- Built-in PoE



System Overview

E series 2MP IP cameras are cost-efficient solution which powered by smart H.265+ and advanced cutting-edge Sony sensor for video monitoring.

It delivers crystal clear images and supports industry-leading IVA smart event alarm.

Cloud function is built-in for every device, which is more convenient and flexible for real-time and remote viewing.

Functions

H.265+

Delivering high quality video with up to 70% bandwidth saving. H.265+ is the evolutionary optimization of H.265 and traditional H.264. The Smart H.265+ includes a series of encoding strategy such as Dynamic ROI and smart 2D&3D noise reduction.

IVA (Intelligent Video Analysis)

It allows detection on multiple object behaviors, such as Tripwire, Intrusion, Objects Detection and Target Counting etc.

Protection

With precise mechanical and rugged casing design, it stands against water and dust with industrial IP67 rank.

Supports $\pm 30\%$ input voltage tolerance, it could work safely in extreme unstable power condition.

With working temperature range from -30°C to $+60^{\circ}\text{C}$, it works well in a variety of harsh outdoor environments.

Technical Parameters

Camera

Model	ES-852O11H	ES-852O12H	ES-852O13H	Flash/DDR	16MB/256MB
Image Sensor	1/2.9" 2MP Sony Sensor			S/N Ratio	More than 52dB
Min. Illumination	0.05Lux/F2.0 (color) 0 Lux with IR on			IR Distance	10~20m
Effective Pixels	1920(H)*1080(V)			IR LED No.	1

Lens

Focal Length	2.8mm	3.6mm	6mm	FOV	95°	83°	57°
Aperture	F1.6						

Video

Compression	H.265/H.264	WDR	DWDR
Resolution	1080P(1920*1080)/1.3MP(1280*960)/720P(1280*720) D1(720*576)/Q720P(640*360)/CIF(352*288)	Day/Night	Auto(ICR)/Color/B/W
Bit Rate Control	CBR/VBR	White Balance	Supported
Bit Rate	16Kbps-8Mbps	Defog	Supported
Streaming	Dual stream	Noise Reduction	3D DNR
Frame Rate	Main stream: 1920*1080(1~25/30fps) Sub stream: 720*576(1~25/30fps)	Mirror	Supported
Digital Zoom	12x	Flip	Supported
Audio Compression	G.711u	BLC	Supported
		ROI	Support 4 fixed region for main stream and sub stream separately
		Anti-flicker	Supported
		Privacy Mask	4 Areas

Alarm & Audio

Video Detection	Motion Detection, Video Shelter	IVA	Tripwire/Intrusion/Object Left/Missing/Target Counting
Audio	N/A		

Network

Ethernet	1 RJ-45 port(10/100Mbps)	Web Browsers	IE/Firefox/Chrome/Safari
Protocols	TCP/IP, UDP, HTTP, IGMP, ICMP, DHCP, RTP/RTSP/DNS, DDNS, FTP, NTP, PPPoE, UPNP, SMTP, SNMP	VMS	AntarVis 2.0
Onvif	Onvif Profile S	Mobile App	AntarView Pro
Max. Online Users	2	Platform	Mac OS/ Windows/iOS/Android

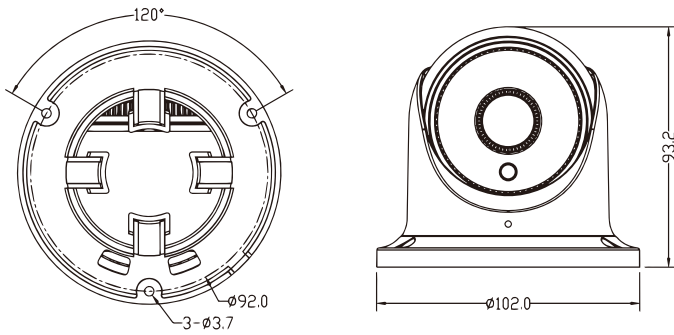
General

Working Temperature	-30°C~+60°C	Ingress Protection	IP67
Working Humidity	10~90%	Dimensions	Φ102*93.2mm
Power Supply	PoE, IEEE802.3af DC12V±10%	Net Weight	0.36KG
Power Consumption	< 3W	Gross Weight	0.44KG

Ordering Information

Type	Part Number	Description
2MP Camera	ES-852011H	2MP Network Camera(2.8mm Lens)
	ES-852012H	2MP Network Camera(3.6mm Lens)
	ES-852013H	2MP Network Camera(6mm Lens)

Dimensions (mm)



More details